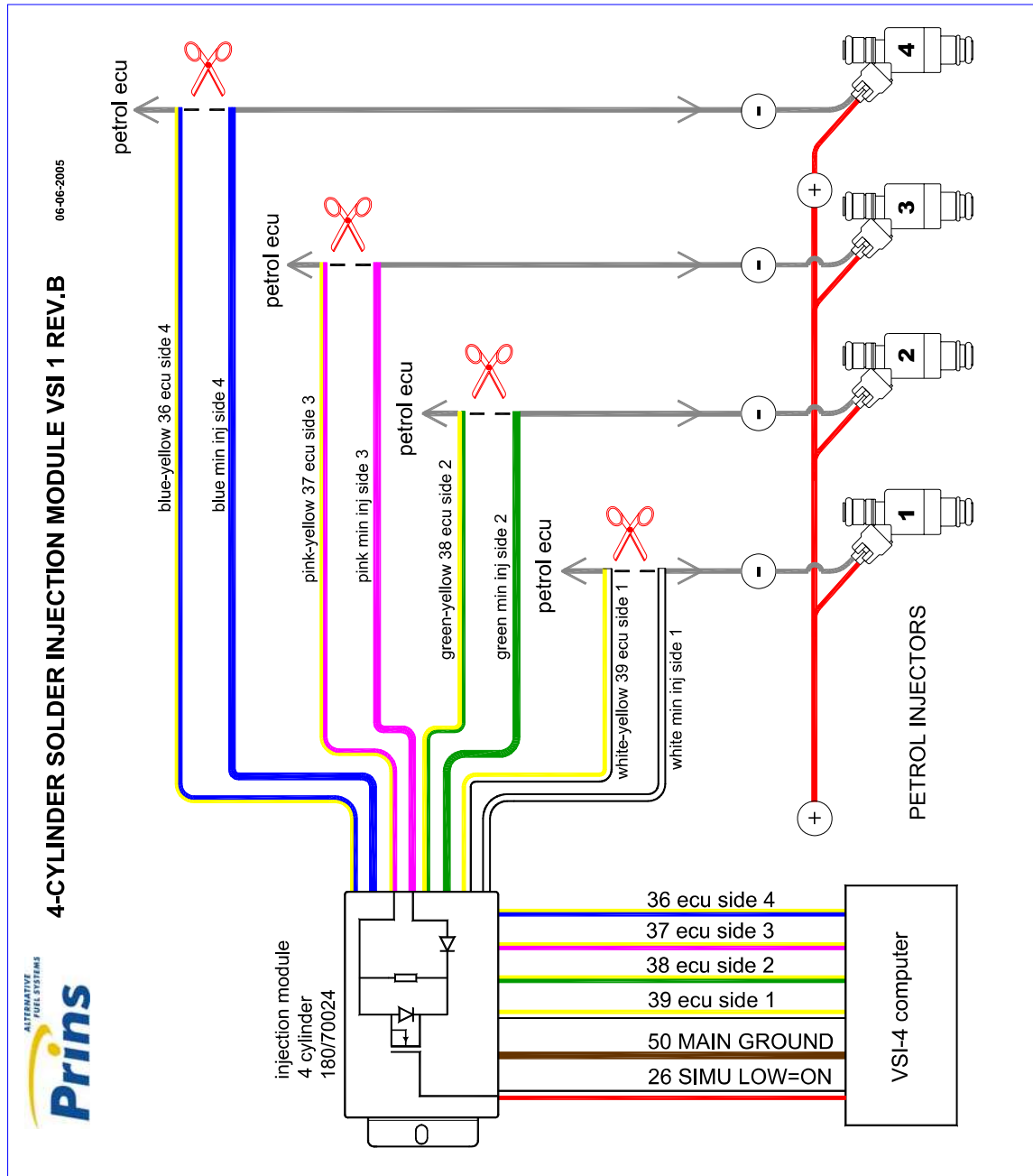


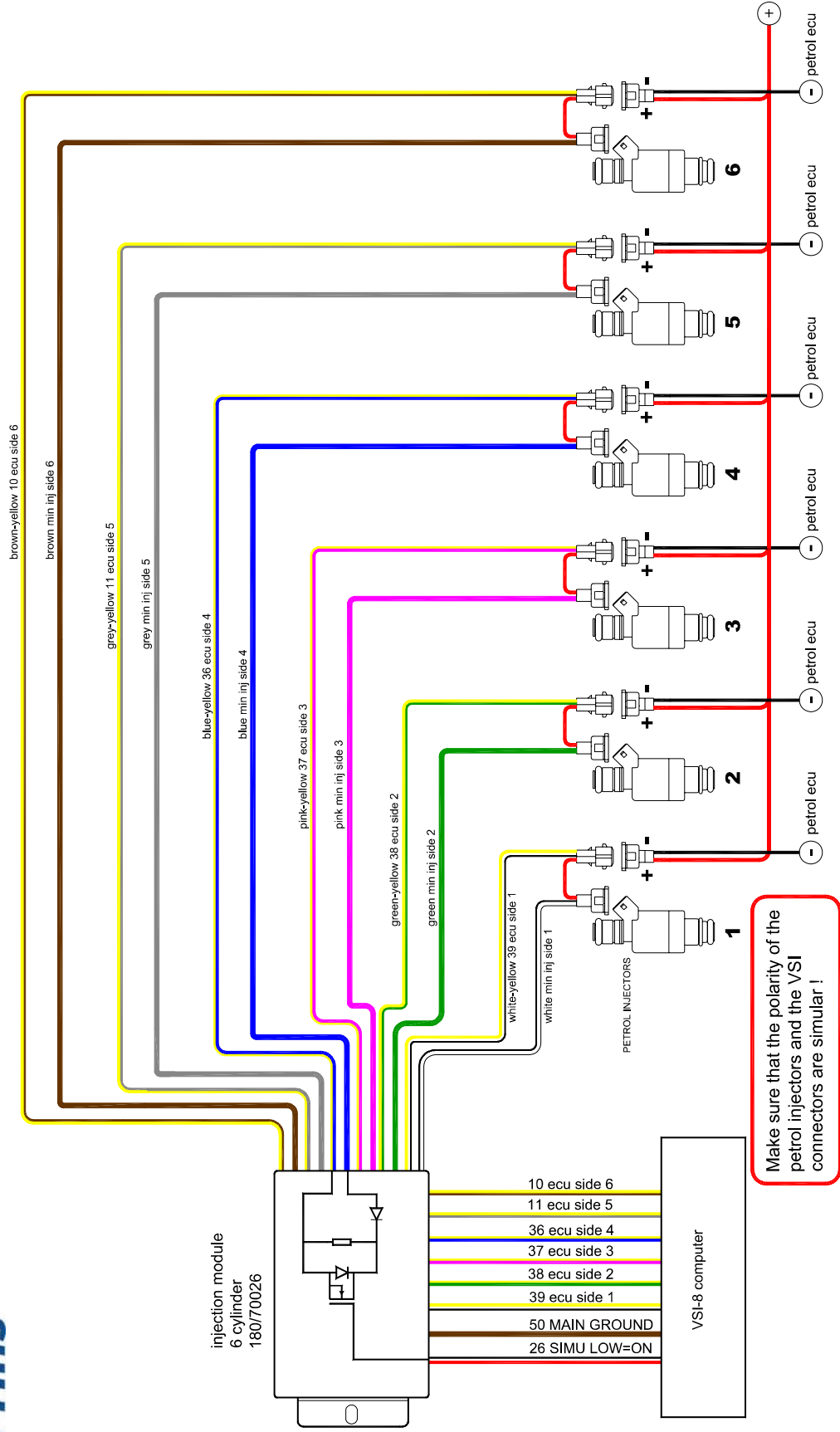
**Schema 11 Einspritzmodul 4-Zylinder (Steckverbinderausführung) 180/70024**



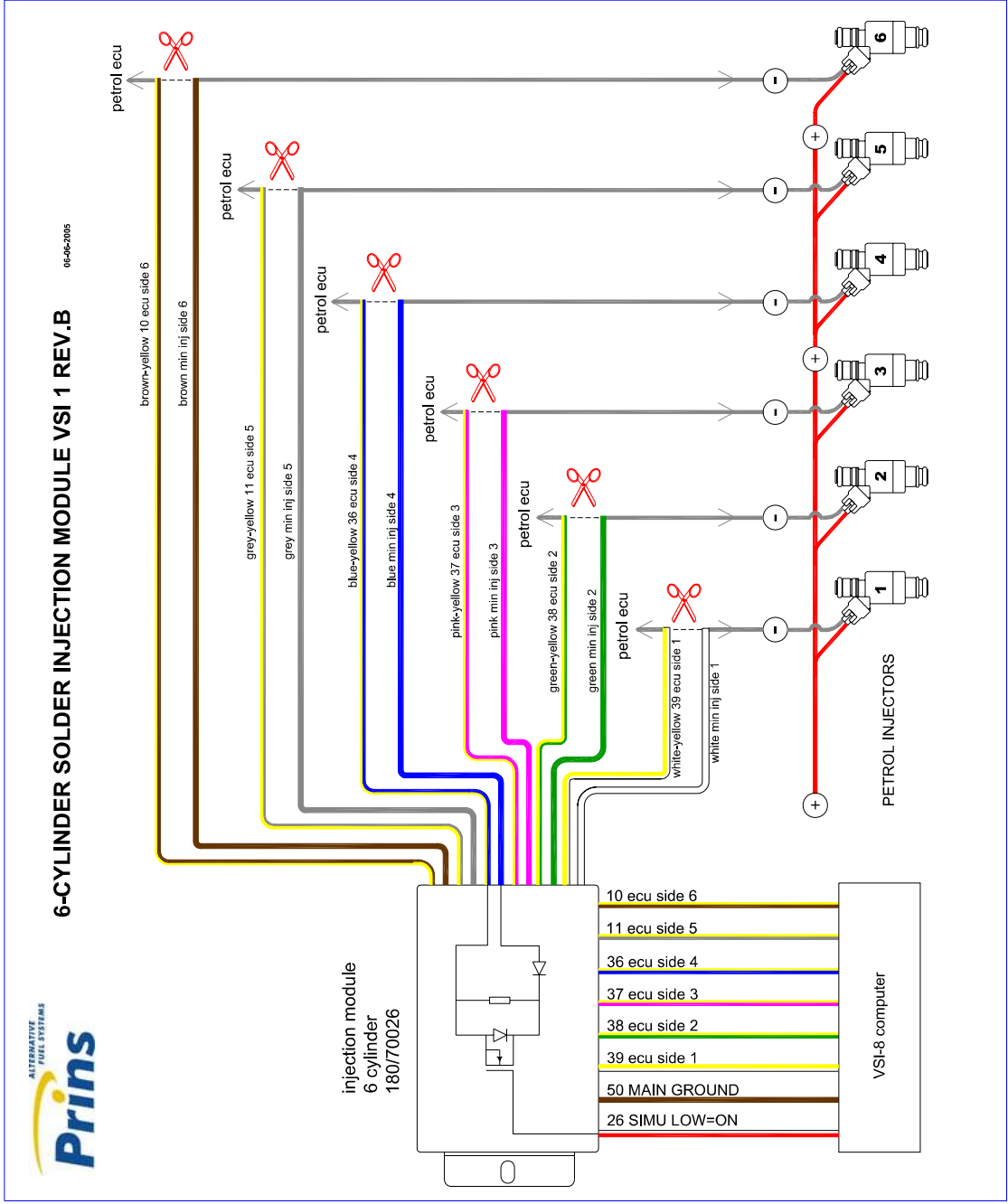
**Schema 12 Einspritzmodul 4-Zylinder (Lötläufung) 180/70024**

**6-CYLINDER CONNECTOR INJECTION MODULE VSI 1 REV.B**

06-06-2005



**Schema 13 Einspritzmodul 6-Zylinder (Steckverbinderausführung) 180/70026**

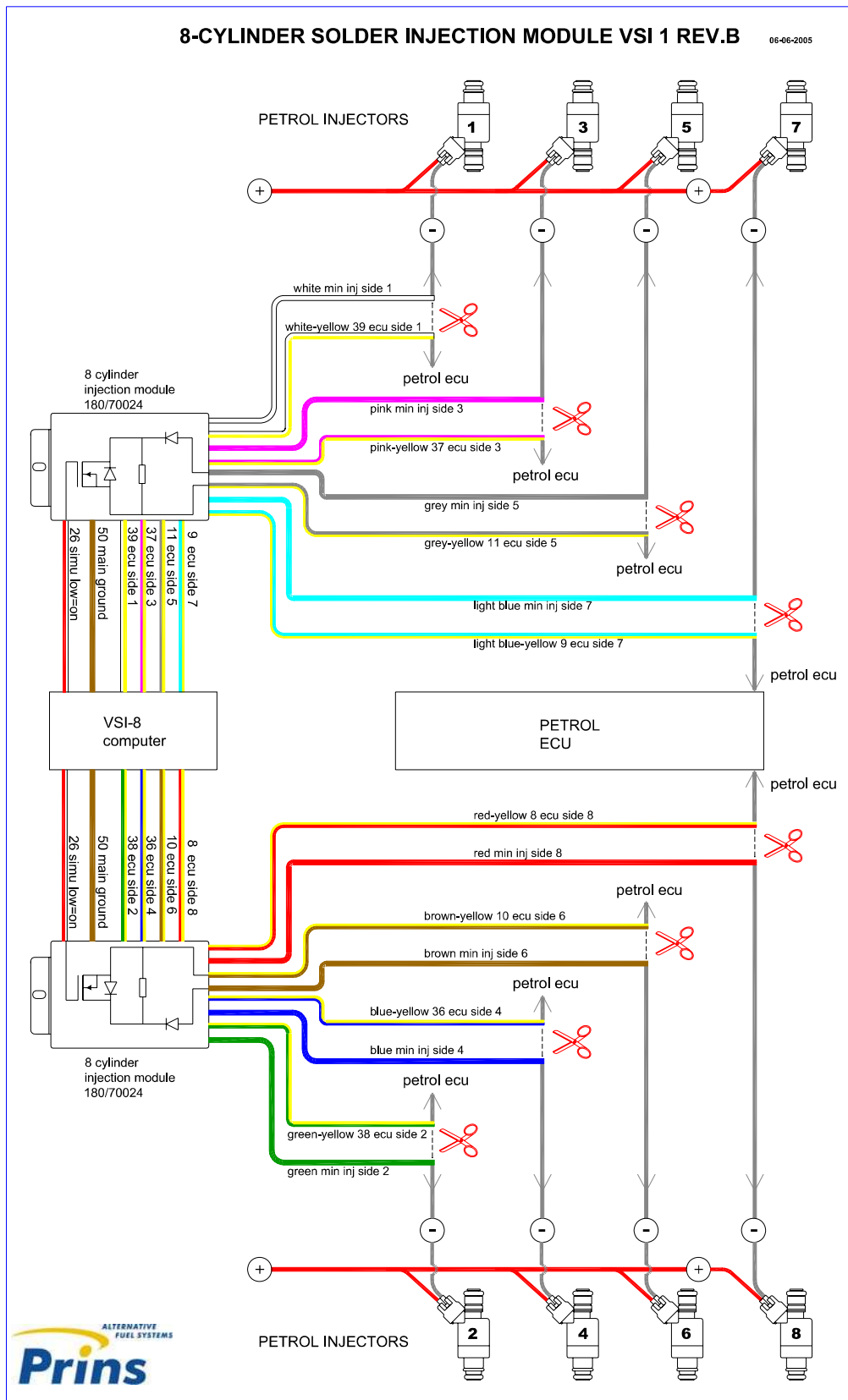


**Schema 14 Einspritzmodul 6-Zylinder (Löttauführung) 180/70026**



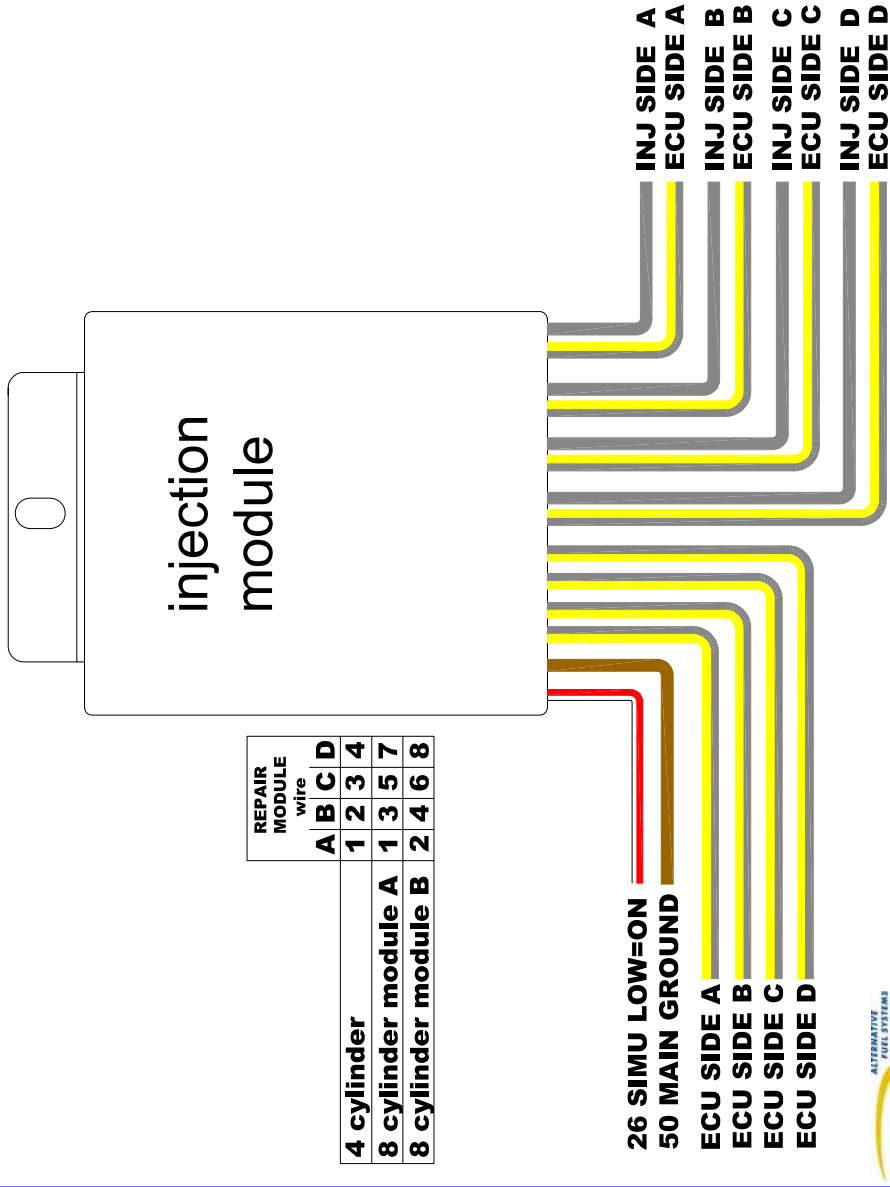
### 8-CYLINDER SOLDER INJECTION MODULE VSI 1 REV.B

06-06-2005

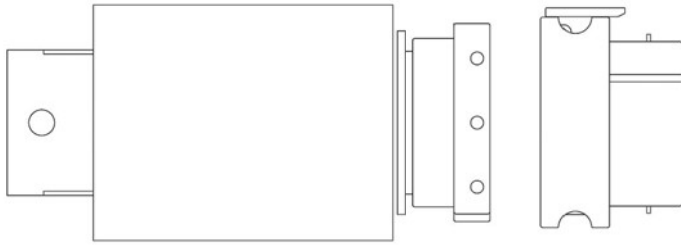


Schema 16 Einspritzmodul 8-Zylinder (Lötausführung) 180/70024

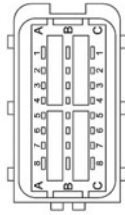
4 & 8 CYLINDER REPAIR INJECTION MODULE VSI 1 REV.B 180/30024 06-06-2005



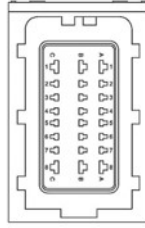
Schema 17 Reparaturmodul 4-8-Zylinder 180/30024



Sicma  
24-pole pin header  
black



Sicma  
24-pole female housing  
black



pin	connected to	wire color	print on wire
A1			
A2	vsi ecu	white-yellow	39 ecu side 1
A3	vsi ecu	green-yellow	38 ecu side 2
A4	vsi ecu	pink-yellow	37 ecu side 3
A5	vsi ecu	blue-yellow	36 ecu side 4
A6			
A7			
A8			
B1	vsi ecu	grey-white	13 ignition plus
B2	petrol ecu	white-yellow	39 ecu side 1
B3	petrol ecu	green-yellow	38 ecu side 2
B4	petrol ecu	pink-yellow	37 ecu side 3
B5	petrol ecu	blue-yellow	36 ecu side 4
B6			
B7			
B8	vsi ecu	red-white	26 inj. mod. command
C1			
C2	petrol injector	white	min inj side 1
C3	petrol injector	green	min inj side 2
C4	petrol injector	pink	min inj side 3
C5	petrol injector	blue	min inj side 4
C6			
C7			
C8	vsi ecm	brown	54 inj. mod. ground

**ALTERNATIVE FUEL SYSTEMS**  
**Prins**  
EINDHOVEN-HOLLAND

Material: Unit: mm  
Tol: ISO 2768-1.m

Hardness:

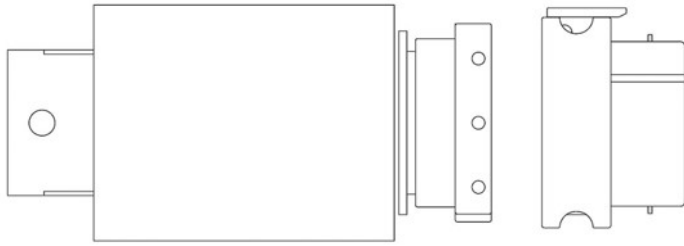
Designed	T.S.	18-04-2007
Approved	W.E.	18-04-2007
Checked	W.E.	18-04-2007
Drawn	T.S.	18-04-2007

Part Name: Injection Module with connector 4 cylinder  
Scale: 1/1  
Sheet: 1/1  
Size: A4

All rights strictly reserved. Reproduction or reuse in third parties is not permitted without the written authority from the proprietor.

**schema 18 Einspritzmodul 091/71004**







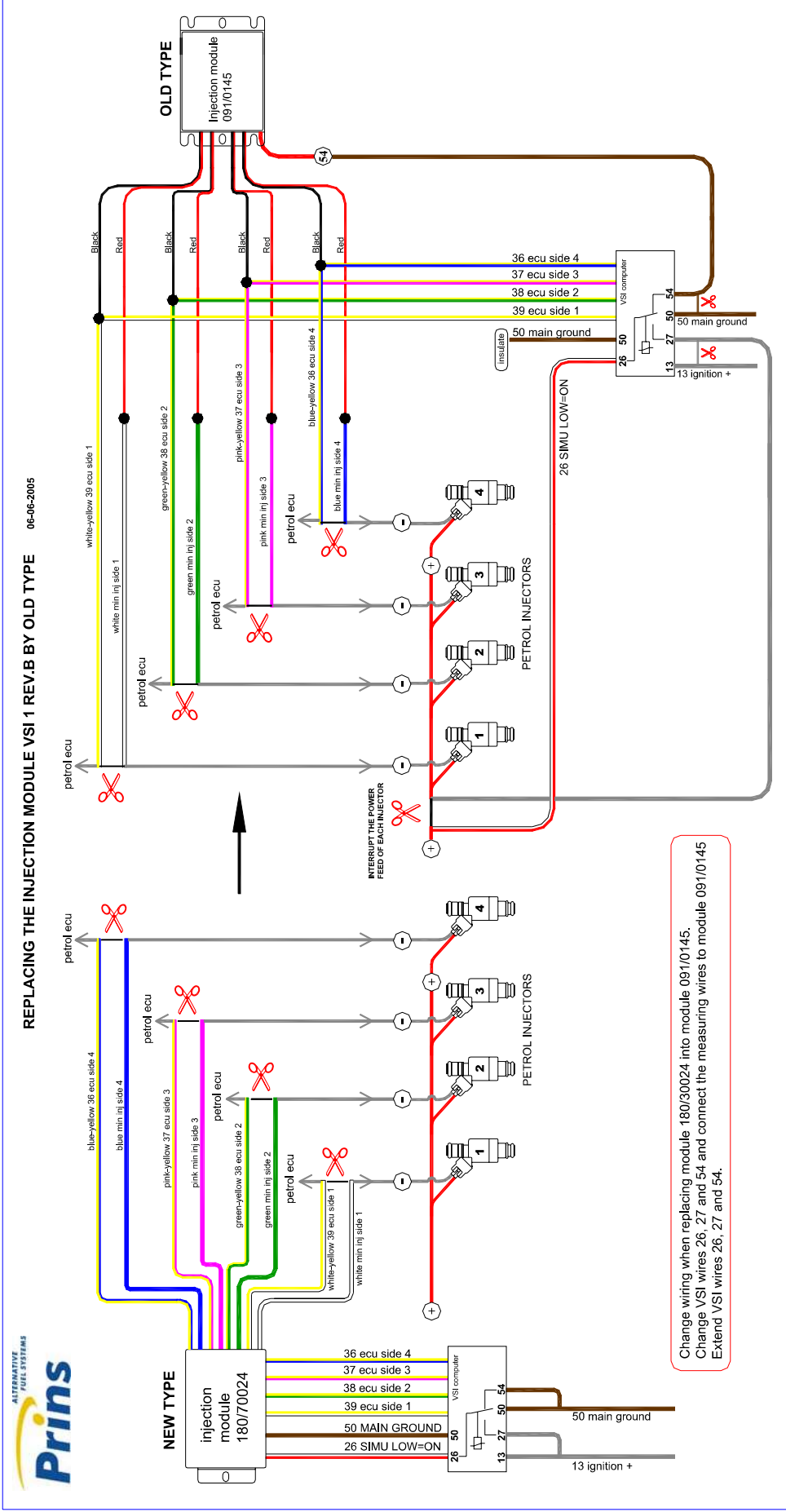
Sicma  
24-pole pin header  
black

Sicma  
24-pole female housing  
black

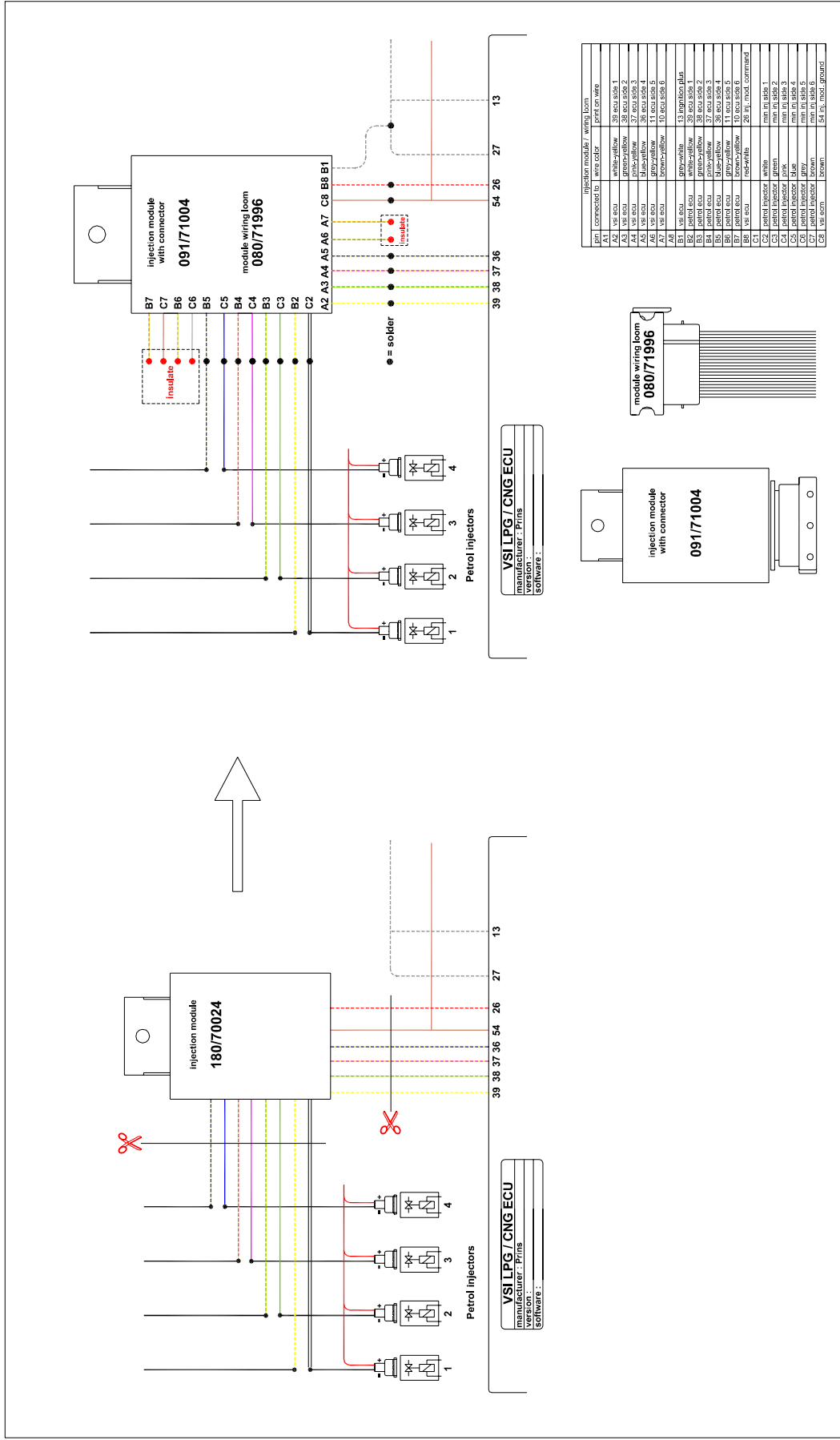
Injection module 6 cylinder		
pin	connected to	wire color
A1		print on wire
A2	vsi ecu	white-yellow
A3	vsi ecu	green-yellow
A4	vsi ecu	pink-yellow
A5	vsi ecu	blue-yellow
A6	vsi ecu	grey-yellow
A7	vsi ecu	brown-yellow
A8		
B1	vsi ecu	grey-white
B2	petrol ecu	white-yellow
B3	petrol ecu	green-yellow
B4	petrol ecu	pink-yellow
B5	petrol ecu	blue-yellow
B6	petrol ecu	grey-yellow
B7	petrol ecu	brown-yellow
B8	vsi ecu	red-white
C1		
C2	petrol injector	white
C3	petrol injector	green
C4	petrol injector	pink
C5	petrol injector	blue
C6	petrol injector	grey
C7	petrol injector	brown
C8	vsi ecm	brown

Material:	Unit: mm	 <b>Prins</b> PRINS AUTOGASSYSTEMEN EINDHOVEN-HOLLAND	
Hardness:	Tol: ISO 2768-1:m	<small>All rights strictly reserved. Reproduction or use in third parties in any form without the written authority from the proprietor.</small> Part No: <b>091/71006</b>	
Designed	T.S.	18-04-2007	Part Name: <b>Injection Module with connector 6 cylinder</b> Scale: <b>1/1</b> Sheet: <b>1/1</b> Size: <b>A4</b>
Approved	W.E.	18-04-2007	
Checked	W.E.	18-04-2007	
Drawn	T.S.	18-04-2007	
 Name		Date	Rev.

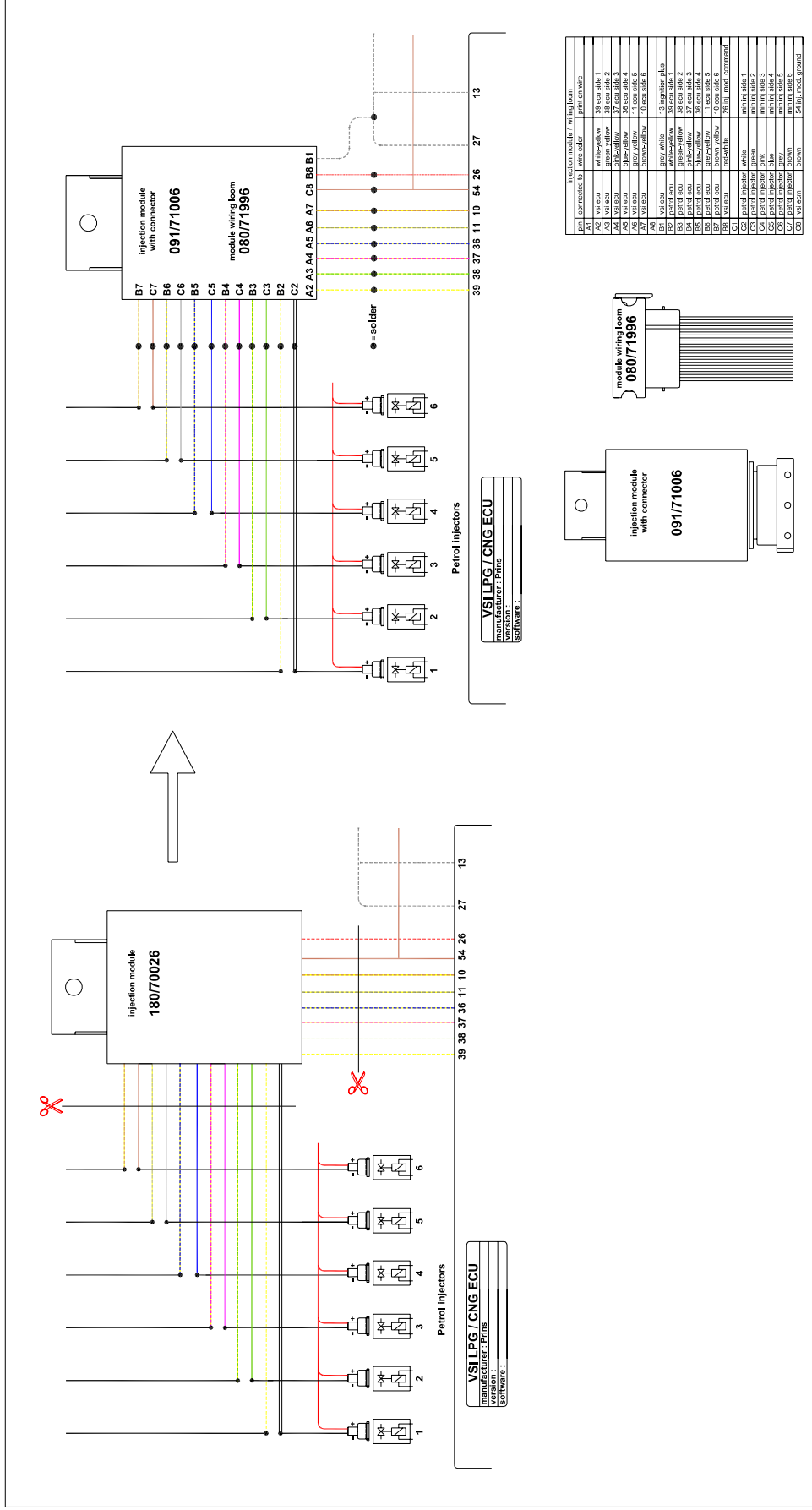
schema 19 Einspritzmodul 091/71006



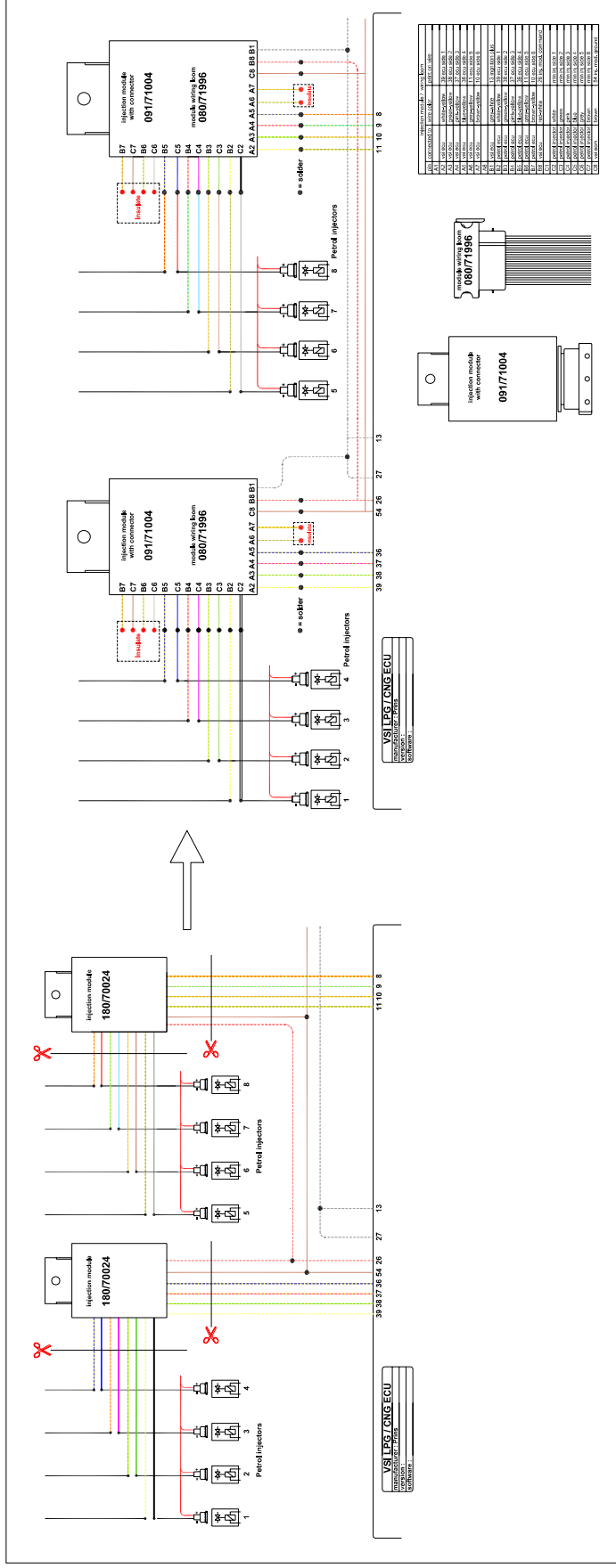
**Schema 20 Auswechseln des Einspritzmoduls 180/70024 → 091/01145**



schema 21 Auswechseln des Einspritzmoduls 180/70024 → 091/71004 ( 4-Zylinder )



schema 22 Auswechseln des Einspritzmoduls 180/70026 → 091/71006 ( 6-Zylinder )



schema 23 Auswechseln des Einspritzmoduls 180/70024 → 0917/1004 ( 8-Zylinder )